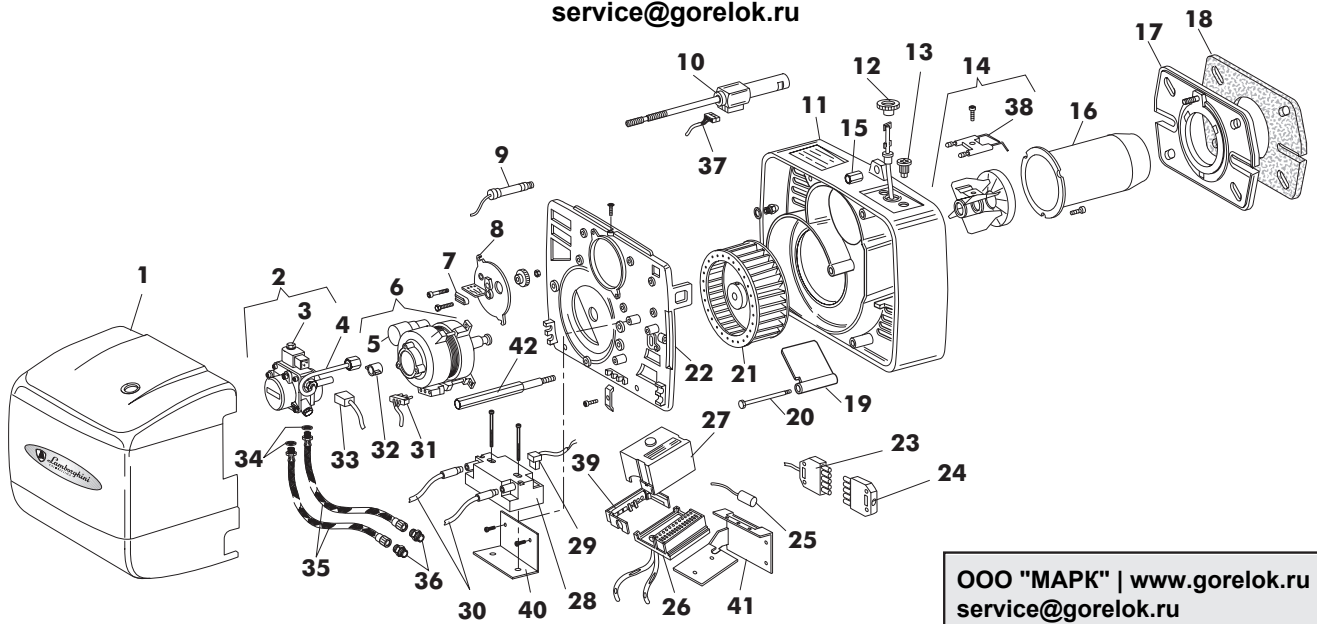


ECO 3 Cod. **00840005**
ECO 3R Cod. **00840017**

8 (499) 903-16-60
service@gorelok.ru
TAV. 445

Maggio 2006


OOO "MAPK" | www.gorelok.ru
service@gorelok.ru
8 (499) 903-16-16

Pos.	Cod.	Denominazione	Denomination	Denomination	Denominación
1	1.12944.0	Cofano	Cover	Capot	Tapa
2	4.01778.0	Pompa SUNTEC	Pump SUNTEC	Pompe SUNTEC	Bomba SUNTEC
	4.03304.0	Pompa DANFOSS	Pump DANFOSS	Pompe DANFOSS	Bomba DANFOSS
3	4.01870.0	Bobina SUNTEC	Valve coil SUNTEC	Bobine électrovane SUNTEC	Bobina electrovalvula SUNTEC
	4.03473.0	Bobina DANFOSS	Valve coil DANFOSS	Bobine électrovane DANFOSS	Bobina electrovalvula DANFOSS
4	1.10083.0	Tubo mandata per SUNTEC	Feeding tube SUNTEC	Ligne alimentation SUNTEC	Tubo alimentacion SUNTEC
	1.10076.0	Tubo mandata per DANFOSS	Feeding tube DANFOSS	Ligne alimentation DANFOSS	Tubo alimentacion DANFOSS
5	4.03513.0	Condensatore	Condensator	Condensateur	Condensador
6	1.10088.0	Motore	Motor	Moteur	Motor
7	1.07780.0	Indice di riferimento	Reference index	Indéxe de référence	Indice de referencia
8	1.07776.0	Flangia linea gicleur (Eco 3)	Nozzle line flange (Eco 3)	Flange ligne gicleur (Eco 3)	Bride linea inyector (Eco 3)
	1.08476.0	Flangia linea gicleur (Eco 3R)	Nozzle line flange (Eco 3R)	Flange ligne gicleur (Eco 3R)	Bride linea inyector (Eco 3R)
9	4.01234.1	Fotoresistenza	Photocell	Photorésistance cellule	Fotoresistencia
10	1.08557.0	G/supporto gicleur (Eco 3)	Nozzle holder group (Eco 3)	G/Support gicleur (Eco 3)	G/Linea inyector (Eco 3)
	1.09256.0	G/Preriscaldatore (Eco 3R)	Preheater group (Eco 3R)	G/réchauffeur (Eco 3R)	G/precalentador (Eco 3R)
11	1.11004.0	Corpo bruciatore	Burner body	Corps du brûleur	Cuerpo quemador
12	1.07803.0	Pignone perno bandella	Pin pinion	Pignon pivot	Piñon pernio
13	1.07804.0	Vite regolazione aria	Air adjustment screw	Vis réglage air	Tornillos de regulaciòn aire
14	4.03202.0	G/Deflettore con elettrodi	G/deflector and electrodes	G/déflacteur avec électrodes	G/deflector con electrodos
15	1.07792.0	Dado bloccaggio bruciatore	Locking nut	Ecrou de blocage	Tuerca fijaciòn
16	1.07790.0	Boccaglio	Draught tube	Tube embouchement	Boca de fuego
17	1.07777.0	Flangia fissa attacco caldaia	Boiler connecting flange	Flange connexion chaudièreb	Brida de fijaciòn a la caldera
18	1.07785.0	Guarnizione isolante	Insulating gasket	Joint isolant	Junta aislante
19	1.07783.0	Bandella atmosferica	Atmospheric air flap	Clapet d'air atmosphérique	Clapeta aire
20	1.11103.0	Perno bandella	Air flap pinion	Pivot clapet d'air	Pernio palomilla
21	4.03736.0	Ventola	Fan	Ventilateur	Turbina
22	1.11102.0	Piastra componenti	Components plate	Plaque composantes	Placa componentes
23	4.03422.0	Presa	Connector	Connecteur	Conector
24	4.03210.0	Spina	Connector	Connecteur	Conector
25	4.03471.0	Filtro antisturbo	Antijamming filter	Filtre antiparasite	Filtro antiparasitario
26	4.01551.0	Base apparecchiatura	Control box base	Base coffret	Base
27	4.03523.0	Apparecchiatura LANDIS LOA	LANDIS LOA control box	Coffret de sécurité LANDIS LOA	Programador LANDIS LOA
	4.04206.0	Apparecchiatura LANDIS LMO	LANDIS LMO control box	Coffret de sécurité LANDIS LMO	Programador LANDIS LMO
28	4.03987.0	Trasformatore	Transformer	Transformateur	Transformador
29	1.11205.0	Cavo trasformatore	Transformer cable	Cable du transformateur	Cable trasformador
30	1.11816.0	Cavo elettrodo	Electrode cable	Cable électrode	Cable electrodo
31	1.06962.0	Cavo spina motore	Motor cable	Cable du moteur	Cable motor
32	4.03514.0	Giunto	Joint	Joint	Junta
33	1.06964.0	Cavo spina valvola	Valve cable	Cable vanne	Cable electrovalvula
34	1.00129.0	Rondella 1/4"	Washer 1/4"	Rondelle 1/4"	Arandela 1/4"
35	1.06922.0	Flessibile	Hose	Flexible	Flexible
36	1.00119.0	Nipplo mm 3/8"	Nipple 3/8"	Nipple 3/8"	Machon 3/8"
37	4.70389.0	Cavo preriscaldatore (Eco 3R)	Preheater connector (Eco 3R)	Connecteur réchau.(Eco 3R)	Conector precal. (Eco 3R)
38	4.03107.0	Elettrodi	Electrodes	Électrodes	Electrodos
39	4.03195.0	Fermacavo	Cables' block	Bloque cables	Sujeta-cables
40	1.11815.0	Staffa trasformatore	Transformer holder	Support transformateur	Soporto trasformador
41	1.07786.0	Staffa apparecchiatura	Control box holder	Support coffret	Soporte programador
42	1.11007.0	Perno fissaggio piastra	Plate fixing pin	Vis fixation plaque	Pernio fijaciòn placa