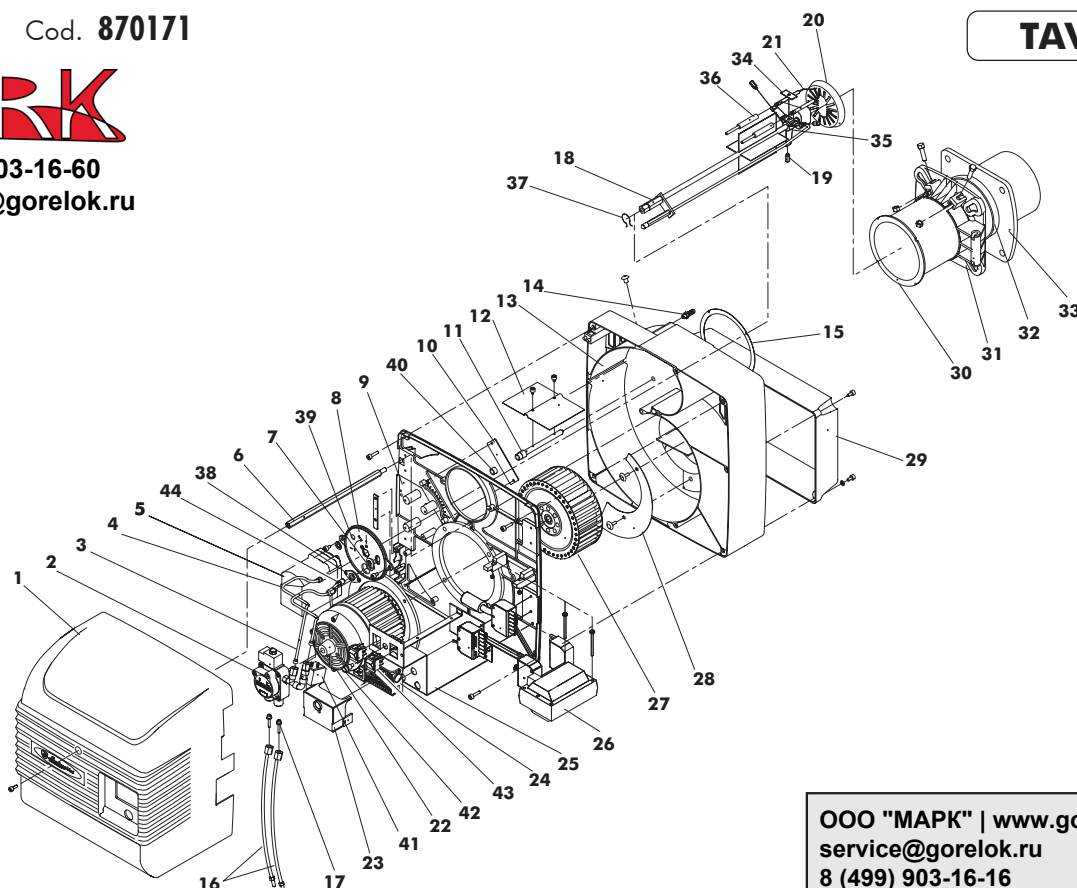


ECO 40/2 Cod. 870171
TAV. 411

Giugno 2004


**8 (499) 903-16-60
 service@gorelok.ru**

**OOO "MAPK" | www.gorelok.ru
 service@gorelok.ru
 8 (499) 903-16-16**

Pos.	Cod.	Denominazione	Denomination	Denomination	Denominación
1	1.11077.0	Cofano	Cover	Capot	Tapa
2	4.03300.0	Pompa	Pump	Pompe	Bomba
3	1.11906.0	Tubo mandata 1° stadio	1st. stage feeding tube	Ligne alimentation	Tubo alimentacion
4	1.12010.0	Tubo mandata 2° stadio	2 nd. stage feeding tube	Ligne alimentation	Tubo alimentacion
5	4.03763.0	Motoriduttore	Motor-reducer	Motorréducteur	Motorreductor
6	1.11904.0	Distanziale fissaggio cofano	Cover fixing rod	Arbre fixation capot	Arbol fijación tapa
7	1.11950.0	Gommino passacavo	Cable rubber	Anneau passe fil en caoutchouc	Anillo de goma passacable
8	1.12008.0	Supporto gicleur	Nozzle holder	Support gicleur	Linea inyector
9	1.12005.0	Coperchio coclea	Cochlear cover	Couverture cochléaire	Cubierta coclear
10	1.11905.0	Vetrino	Glass	Voiant	Vidrio
11	1.12006.0	Perno bandella	Air flap shaft	Arbre clapet aire	Arbol palomilla
12	1.12007.0	Bandella aria	Air flap	Clapet d'air	Palomilla aire
13	1.12001.0	Corpo bruciatore	Burner body	Corps du brûleur	Cuerpo quemador
14	1.11917.0	Raccordo prelievo aria	Air draw coupling	Raccord aspiration d'air	Racor drenaje aire
15	1.11995.0	Guarnizione bocca fuoco	Draught tube gasket	Gueulard joint	Junta boca de fuego
16	1.06922.0	Flessibile	Hose	Flexible	Flexible
17	1.05802.0	Nipplo MM 1/4"	Nipple	Nipple	Machon
17	1.00119.0	Nipplo MM 3/8"	Nipple	Nipple	Machon
18	1.08571.0	Supporto gicleur	Nozzle holder	Support gicleur	Linea inyector
19	1.08586.0	Distanziale	Spacer shaft	Arbre de espacement	Arbol
20	1.08573.0	Deflettore	Deflector	Défecteur	Deflector
21	4.01028.0	Elettrodo accensione	Ignition electrode	Electrode d'allumage	Electrodo d'encendido
22	1.11993.0	Motore	Motor	Moteur	Motor
23	4.04098.0	App.LANDIS tipo LM 044	Control box	Coffret de sécurité	Programador
24	4.01551.0	Zoccolo apparecch.	Control box base	Base coffret	Base programador
25	1.11996.0	Piastra quadro elettrico	Control box/connect.holder	Support coffret/connecteur	Soporte progr./connector
26	4.03666.0	Trasformatore	Transformer	Transformateur	Transformador
27	4.03751.0	Ventola	Fan	Ventilateur	Turbina
28	1.11992.0	Settore di pressurizzazione	Pressurisation plate	Clapet de pressurisation	Placa de la presurización
29	1.12000.0	Scatola presa aria	Air intake box	boîte d'entrée d'air	Caja de la toma de aire
30	1.08569.0	Boccaglio	Draught tube	Gueulard	Boca de fuego
31	1.06591.0	Flangia attacco caldaia	Flange	Flange	Brida
32	1.06593.0	Corda isolante	Insulating cord	Corde d'isolation	Cuerda aislante
33	1.06592.0	Guarnizione isolante	Insulating gasket	Joint isolant	Junta aislante
34	1.06371.0	Staffa elettrodi	Electrode plate	Plat d'électrode	Placa electrodo
35	1.08674.0	Supporto elettrodi	Electrodes' holder	Support électrodes	Soporte electrodos
36	1.11966.0	Molla ionizzazione	Flame rod cable	Cable électrode ionisation	Cable electrodo ionisation
37	1.11865.0	Cavo raccordo mandata	Spring	Ressort	Resorte
38	4.03642.0	Supporto fotoresistenza	Photocell holder	Support photorésistance	Suporto fotoresistencia
39	1.11871.0	Vetrino spia	Inspection window	Viseur de flamme	Mirilla de inspección
40	1.12013.0	Giunto motorino	Motor coupling	Joint moteur	Manguito motor
41	4.03669.0	Elettrovalvola	Gas valve	Electrovanne	Electrovalvula
42	4.03697.0	Porta fusibile	Fuse holder	Support fusible	Funda a poseedor
43	4.03696.0	Interruttore	Switch	Interrupteur	Interruptor
44	4.03742.0	Fotoresistenza	Photocell holder	Photorésistance cellule	Fotoresistencia