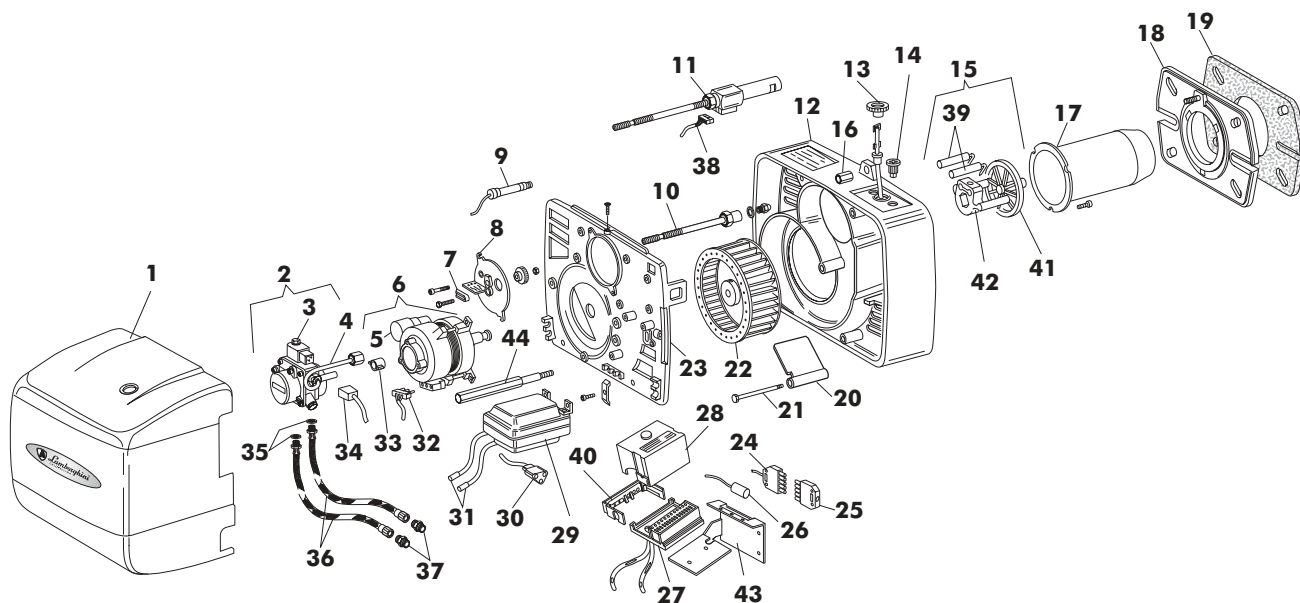


ECO 5 N Cod. **00841220**
ECO 5 R N Cod. **00841230**
TAV. 438

Febbraio 2006



Pos.	Cod.	Denominazione	Denomination	Denomination	Denominación
1	1.12945.0	Cofano	Cover	Capot	Tapa
2	4.01778.0	Pompa SUNTEC	Pump SUNTEC	Pompe SUNTEC	Bomba SUNTEC
	4.03304.0	Pompa DANFOSS	Pump DANFOSS	Pompe DANFOSS	Bomba DANFOSS
3	4.01870.0	Bobina SUNTEC	Valve coil SUNTEC	Bobine électrovane SUNTEC	Bobina electrovalvula SUNTEC
	4.03473.0	Bobina DANFOSS	Valve coil DANFOSS	Bobine électrovane DANFOSS	Bobina electrovalvula DANFOSS
4	1.08095.0	Tubo mandata per SUNTEC	Feeding tube SUNTEC	Ligne alimentation SUNTEC	Tubo alimentacion SUNTEC
	1.08697.0	Tubo mandata per DANFOSS	Feeding tube DANFOSS	Ligne alimentation DANFOSS	Tubo alimentacion DANFOSS
5	4.03513.0	Condensatore	Condensator	Condensateur	Condensador
6	1.10088.0	Motore	Motor	Moteur	Motor
7	1.07780.0	Indice di riferimento	Reference index	Indéxe de référence	Indice de referencia
8	1.08087.0	Flangia linea gicleur (Eco 5N)	Nozzle line flange (Eco 5N)	Flange ligne gicleur (Eco 5N)	Bride linea inyector (Eco 5N)
	1.08579.0	Flangia linea gicleur (Eco 5RN)	Nozzle line flange (Eco 5RN)	Flange ligne gicleur (Eco 5RN)	Bride linea inyector (Eco 5RN)
9	4.01234.1	Fotoresistenza	Photocell	Photorésistance cellule	Fotoresistencia
10	1.08566.0	G/supporto gicleur (Eco 5N)	Nozzle holder group (Eco 5N)	G/Support gicleur (Eco 5N)	G/Linea inyector (Eco 5N)
11	1.10231.0	G/Preriscaldatore (Eco 5RN)	Preheater group (Eco 5RN)	G/réchauffeur (Eco 5RN)	G/precalentador (Eco 5RN)
12	1.11005.0	Corpo bruciatore	Burner body	Corps du brûleur	Cuerpo quemador
13	1.07803.0	Pignone perno bandella	Pin pinion	Pignon pivot	Piñon pernio
14	1.07804.0	Vite regolazione aria	Air adjustment screw	Vis réglage air	Tornillos de regulacion aire
15	8.01939.0	G/Deflettore con elettrodi	G/deflector and electrodes	G/déflacteur avec électrodes	G/deflector con electrodos
16	1.07792.0	Dado bloccaggio bruciatore	Locking nut	Ecrou de blocage	Tuerca fijacion
17	1.07790.0	Boccaglio	Draught tube	Tube embouchement	Boca de fuego
18	1.07777.0	Flangia fissa attacco caldaia	Boiler connecting flange	Flange connexion chaudière	Brida de fijacion a la caldera
19	1.07785.0	Guarnizione isolante	Insulating gasket	Joint isolant	Junta aislante
20	1.08090.0	Bandella atmosferica	Atmospheric air flap	Clapet d'air atmosphérique	Clapeta aire
21	1.11105.0	Perno bandella	Air flap pinion	Pivot clapet d'air	Pernio palomilla
22	4.03517.0	Ventola	Fan	Ventilateur	Turbina
23	1.12044.0	Piastra componenti	Components plate	Plaque composantes	Placa componentes
24	4.03422.0	Presa	Connector	Connecteur	Conector
25	4.03210.0	Spina	Connector	Connecteur	Conector
26	4.03471.0	Filtro antisturbo	Antijamming filter	Filtre antiparasite	Filtro antiparasitario
27	4.01551.0	Base apparecchiatura	Control box base	Base coffret	Base
28	4.03523.0	Apparecchiatura LANDIS LOA	LANDIS LOA control box	Coffret de sécurité LANDIS LOA	Programador LANDIS LOA
	4.04206.0	Apparecchiatura LANDIS LMO	LANDIS LMO control box	Coffret de sécurité LANDIS LMO	Programador LANDIS LMO
29	4.03308.0	Trasformatore	Transformer	Transformateur	Transformador
30	1.08068.0	Cavo spina trasformatore	Transformer cable	Cable du transformateur	Cable transformador
31	1.10694.0	Cavo elettrodo	Electrode cable	Cable électrode	Cable electrodo
32	1.06962.0	Cavo spina motore	Motor cable	Cable du moteur	Cable motor
33	4.03514.0	Giunto	Joint	Joint	Junta
34	1.06964.0	Cavo spina valvola	Valve cable	Cable vanne	Cable electrovalvula
35	1.00129.0	Rondella 1/4"	Washer 1/4"	Rondelle 1/4"	Arandela 1/4"
36	1.06922.0	Flessibile	Hose	Flexible	Flexible
37	1.00119.0	Nipallo mm 3/8"	Nipple 3/8"	Nipple 3/8"	Machon 3/8"
38	4.70389.0	Cavo preriscaldatore (Eco 5RN)	Preheater connector (Eco 5RN)	Connecteur réchau.(Eco 5RN)	Conector precal. (Eco 5RN)
39	4.04031.0	Elettrodi	Electrodes	Électrodes	Electrodos
40	4.03195.0	Fermacavo	Cables' block	Blocage cables	Sujeta-cables
41	1.12039.0	Deflettore	Deflector	Déflacteur	Deflector
42	1.12045.0	Supporto elettrodi	Electrodes holder	Support électrodes	Linea electrodos
43	1.07786.0	Staffa apparecchiatura	Control box holder	Support coffret	Soporte programador
44	1.11007.0	Perno fissaggio piastra	Plate fixing pin	Vis fixation plaque	Pernio fijacion placa