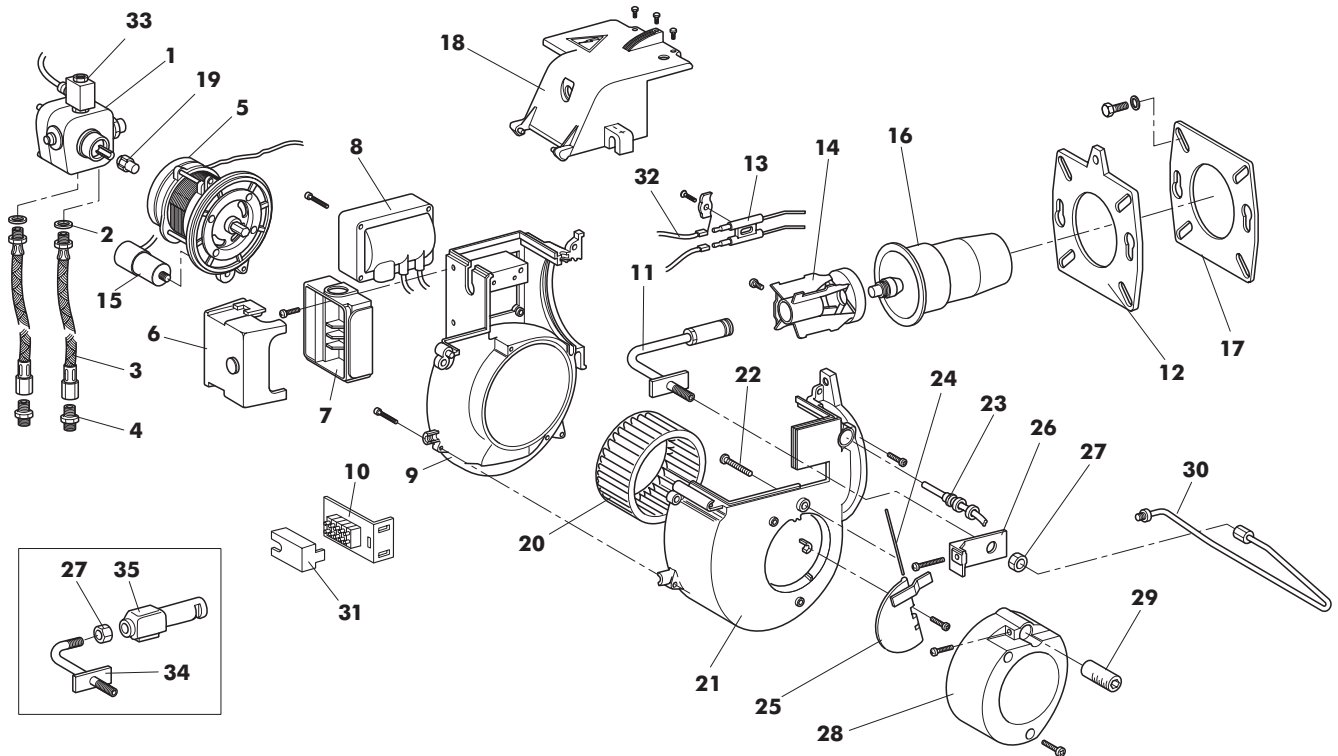


FIRE 3 Cod. **00842008**
FIRE 3 R Cod. **00842018**


 8 (499) 903-16-60
 service@gorelok.ru

TAV. 448

Novembre 2006



Pos.	Cod.	Denominazione	Denomination	Denomination	Denominación
1	4.03418.0	Pompa	Pump	Pompe	Bomba
2	1.00129.0	Rondella 1/4"	Washer 1/4"	Rondelle 1/4"	Arandela 1/4"
3	1.07809.0	Flexibile	Hose	Flexible	Flexibile
4	1.00119.0	Nipplo 3/8"	Nipple 3/8"	Nipple 3/8"	Machon 3/8"
5	1.10089.0	Motore ACC	ACC Motor	Moteur ACC	Motor ACC
	1.12606.0	Motore SIMEL	SIMEL Motor	Moteur SIMEL	Motor SIMEL
6	4.04206.0	Apparecchiatura	Control box	Coffret de sécurité	Programador
7	4.01551.0	Base apparecchiatura	Control box base	Base coffret	Base programador
	8.01712.0	G/base (fire 3)	G/base	G/base	G/base
	8.01713.0	G/base (fire 3R)	G/base	G/base	G/base
8	4.03612.0	Trasformatore	Transformer	Transformateur	Transformador
9	1.11206.0	Semicorpo lato motore	Motor side half casing	Demi-corps côté moteur	Semicuerpo lado motor
10	4.01810.0	Morsettiera 6 poli	6 stud terminal block	Bornier 6 pôles	Caja de bornes 6 poles
11	1.12613.0	G/supporto gicleur (fire 3)	G/nozzle holder (fire 3R)	G/support gicleur (fire 3R)	G/linea inyector (fire 3R)
12	1.10407.0	Flangia attacco caldaia	Boiler connecting flange	Flange connexion chaudière	Brida de fijacion ala caldera
13	4.03404.0	Elettrodi	Electrodes	Électrodes	Electrodos
14	1.09173.0	Deflettore	Deflector	Défecteur	Deflector
15	4.03513.0	Condensatore motore ACC	ACC motor Condensor	Condensateur moteur ACC	Condensador motor ACC
	4.04184.0	Condensatore motore SIMEL	SIMEL motor Condensor	Condensateur moteur SIMEL	Condensador motor SIMEL
16	1.09156.0	Boccaglio	Draught tube	Gueulard	Boca de fuego
17	1.09165.0	Guarnizione isolante	Insulating gasket	Joint isolant	Junta aislante
18	1.09153.0	Coperchio superiore	Upper cover	Covercle supérieur	Tara superior
19	4.03514.0	Giunto motore ACC	ACC motor Joint	Joint moteur ACC	Junta motor ACC
	4.04183.0	Giunto motore SIMEL	SIMEL motor Joint	Joint moteur SIMEL	Junta motor SIMEL
20	4.03400.0	Ventola	Fan	Ventilateur	Turbina
21	1.10796.0	Semicorpo aspiraz. Aria	Air suction cover	Demi-corps d'aspiration d'air	Semicuerpo aspiracion aire
22	2.27258.0	Vite M5 x 40	Screw M5 x 40	Vis M5 x 40	Tornillo M5 x 40
23	4.03405.0	Fotoresistenza	Photocell	Photorésistance	Fotoresistencia
24	1.09168.0	Albero bandella	Air flap pinion	Pivot clapet d'air	Piñon palomilla
25	1.09167.0	Bandella aria	Air flap	Clapet d'air	Palomilla
26	1.09161.0	Indice regolazione testata	Adjustment head index	Indexé réglage tête	Indice regulacion cabeza
27	1.07797.0	Dado supporto gicleur	Nozzle holder nut	Ecrou support gicleur	Tuerca linea inyector
28	1.09154.0	Coperchio aspirazione aria	Air suction cover	Couvercle d'aspiration d'air	Tara aspiracion aire
29	1.09160.0	Pomello regolazione aria	Air adjustment knob	Poignée réglage air	Mando de regulacion aire
30	1.09261.0	Tubino mandata	Feeding tube	Ligne alimentation	Tubo alimentacion
31	1.09428.0	Coperchio morsettiera	Terminal block cover	Capot bornier	Tapa caja de bornes
32	1.09172.0	Cavo elettrodo	Electrode cable	Cable électrode	Cable electrodo
33	4.03473.0	Bobina V.E.	Valve coil	Bobina électrovanne	Bobina electrovalvula
34	1.09163.0	G/supp.preriscald. (fire 3R)	G/preheater (fire 3R)	G/support réchauffage (fire 3R)	G/linea precalentador (fire 3R)
35	4.01895.0	Preriscaldatore (fire 3R)	Preheater (fire 3R)	Réchauffage (fire 3R)	Precalentador (fire 3R)