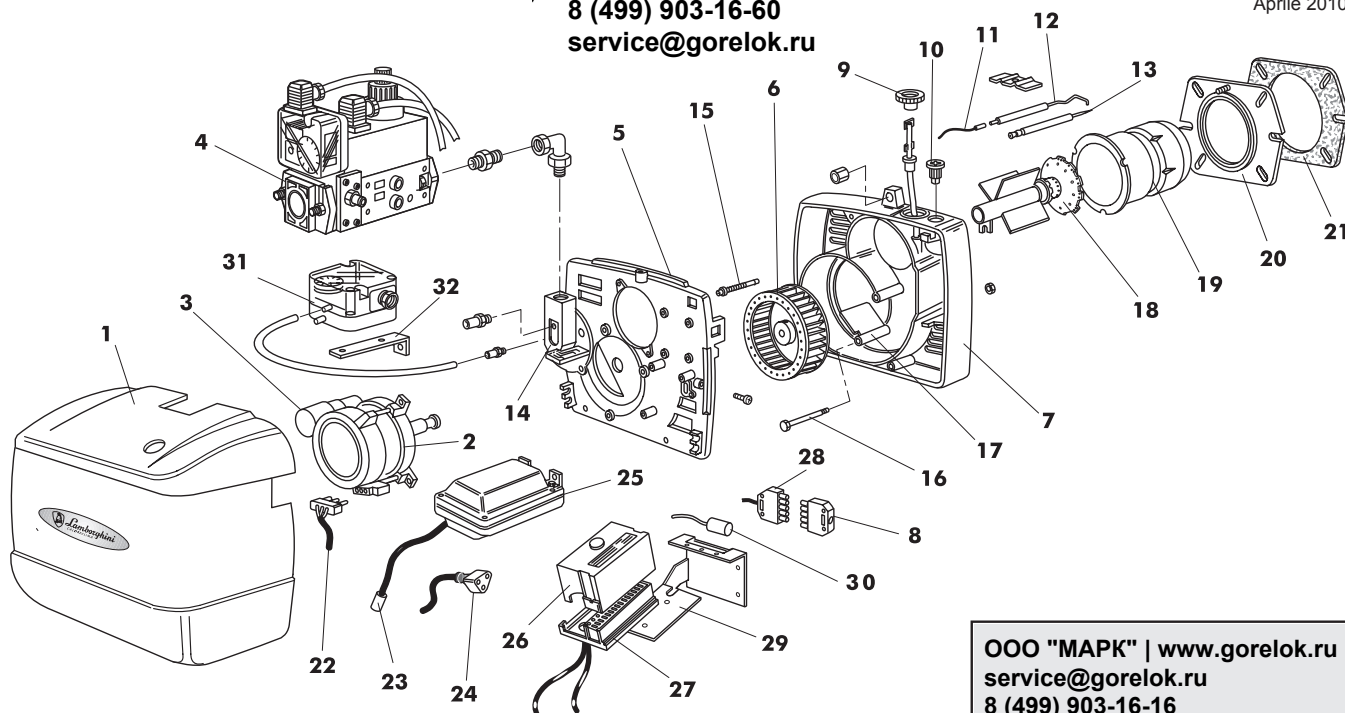


EM 6 E Cod. **98000951**

8 (499) 903-16-60
service@gorelok.ru
TAV. 369-1

Aprile 2010


OOO "MAPK" | www.gorelok.ru
service@gorelok.ru
8 (499) 903-16-16

Pos.	Cod.	Denominazione	Denomination	Denomination	Denominación
1	1.13740.0	Cofano	Cover	Capot	Tapa
2	1.10088.0	Motore	Motor	Moteur	Motor
3	4.03513.0	Condensatore	Condensator	Condensateur	Condensador
4	4.04130.0	V.E.DUNGS GB-E 055 20-30 mbar	Gas valve	Electrovanne	Electrovalvula
	4.03607.0	V.E. DUNGS MB - DLE 403 200 mbar	Gas valve	Electrovanne	Electrovalvula
	4.03416.0	V.E. DUNGS MB - DLE 405 360 mbar	Gas valve	Electrovanne	Electrovalvula
5	1.11104.0	Piastra componenti	Components plate	Plaque composantes	Placa componentes
6	4.03516.0	Ventola	Fan	Ventilateur	Turbina
7	1.11005.0	Corpo bruciatore	Burner body	Corps brûleur	Cuerpo quemador
8	4.03210.0	Connettore	Burner fixing nut	Ecrou blocage brûleur	Tuerca fijación quemador
9	1.07803.0	Pignone perno band.	Pin pinion	Pignon pivot	Piñon pernio
10	1.07804.0	Vite regolazione aria	Air adjustment screw	Vis réglage air	Tornillo de regulación aire
11	1.07010.0	Cavo elett. di controllo	Flame rod cable	Cable élect. de contrôle	Cable elect. ionización
12	4.03219.0	Elettrodo di controllo	Flame rod	Elect. ionisation	Electrodo ionización
13	4.01851.0	Elettrodo di accensione	Ignition electrode	Elect. d'allumage	Electrodo d'encendido
14	1.09237.0	Flangia linea gicleur	Nozzle line flange	Flange line gicleur	Brida linea inyector
15	1.08058.0	Vite regolazione	Adjustment screw	Vis réglage	Tornillo de regulación
16	1.11105.0	Perno bandella	Air flap pin	Pivot du clapet	Pernio clapeta
17	1.08090.0	Bandella atmosferica	Atmospheric air flap	Clapet d'air atmosphérique	Palomilla
18	1.09236.0	G/testata	Combustion head	Tête du brûleur	Cabeza de combustion
19	1.07984.0	Boccaglio	Draught tube	Tube embouchement	Boca de fuego
20	1.07777.0	Flangia fissa att. caldaia	Boiler connecting flange	Flange connex. chaudière	Brida de fijación a la caldera
21	1.07785.0	Guarnizione isolante	Insulating gasket	Joint isolant	Junta aislante
22	1.06962.0	Cavo spina motore	Motor cable	Cable du moteur	Cable motor
23	1.12726.0	Cavo elettrodo	Electrode cable	Cable électrode	Cable electrodo
24	1.08068.0	Cavo spina trasformatore	Transformer cable	Cable du transformateur	Cable transformador
25	4.03211.0	Trasformatore	Transformer	Transformateur	Transformador
26	4.04248.0	App.LME 11	Control box LME 11	Coffret de sécurité LME 11	Programador LME 11
27	4.01551.0	Base apparecchiatura	Control box base	Base coffret	Base Programador
28	4.03422.0	Connettore	Connector	G/connecteur	G/conector multiple
29	1.07786.0	Staffa apparecchiatura	Contr.box/connect.holder	Support coffret/connecteur	Soporte progr./conector
30	4.03471.0	Filtro antidiurbo	Antijamming filter	Filtre antiparasite	Filtro antiparasitario
31	4.03415.0	Pressostato aria	Air pressure switch	Pressostat	Presostato aire
32	1.10614.0	Staffa pressostato aria	Air press. switch plate	Plaque pressostat	Placa presostato aire