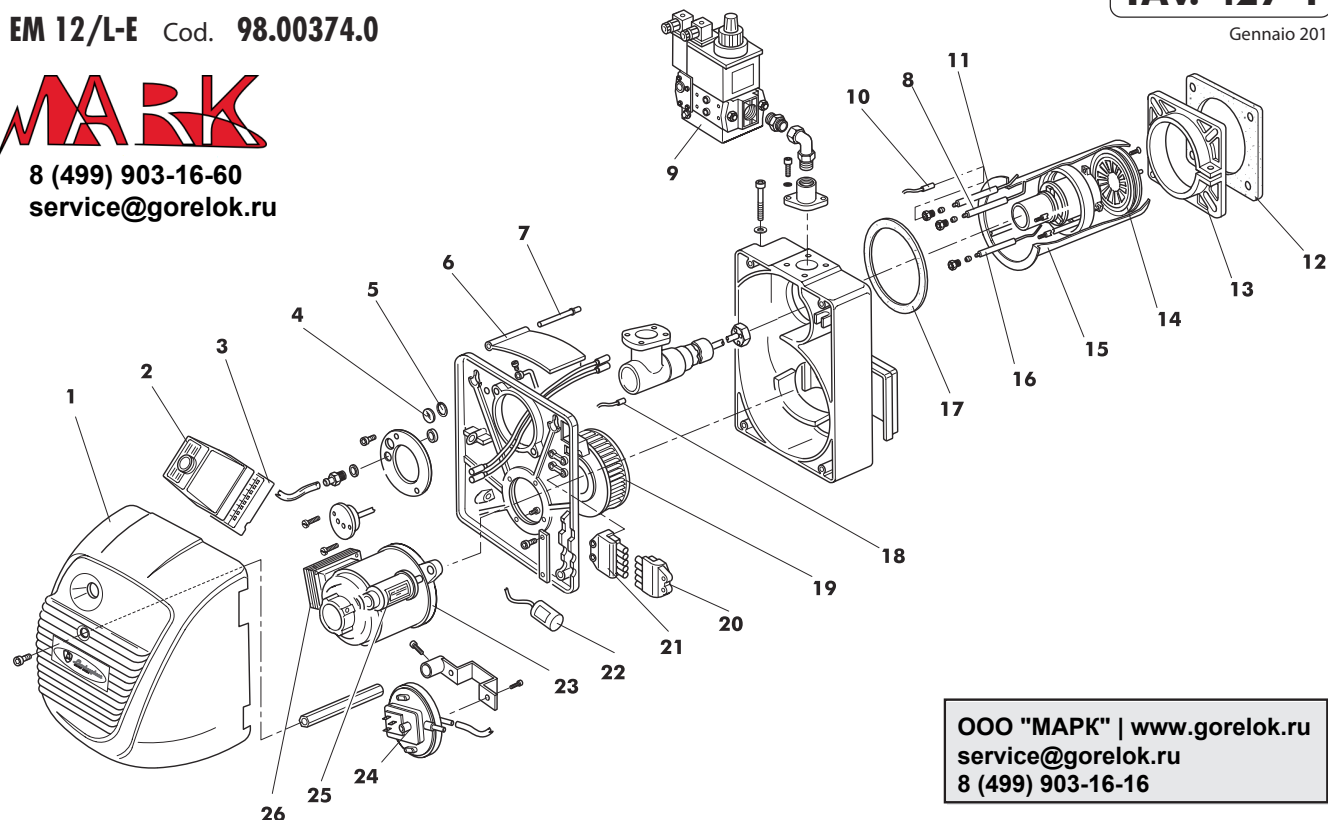


**EM 12-E Cod. 98.00216.1**
**EM 12/L-E Cod. 98.00374.0**
**TAV. 427-1**

Gennaio 2011


**8 (499) 903-16-60**  
**service@gorelok.ru**

**OOO "MAPK" | www.gorelok.ru**  
**service@gorelok.ru**  
**8 (499) 903-16-16**

Pos.	Cod.	Denominazione	Denomination	Denomination	Denominación
1	1.13774.0	Cofano	Cover	Capot	Tapa
2	4.04235.0	App. LME 21. 330 A2	Control box	Coffret de sécurité	Programador
3	4.01551.0	Zoccolo AG K11	Base	Base	Base
4	1.11871.0	Vetrino spia	Ispection window	Viseur de flamme	Mirilla de inspección
5	3.00135.0	Anello seeger	Seeger	Seeger	Seeger
6	1.11879.0	Bandella aria	Air flap	Clapet air	Palomilla
7	1.12482.0	Perno bandella	Air flap shaft	Arbre clapet air	Arbol palomilla aire
8	1.12194.0	Elettrodo sinistro	Left electrode	Electrode gauche	Electrodo izquierda
9	4.03458.0	VE. MB-DLE 410 (D6)	Gas valve	Electrovanne	Electrovalvula
	4.04128.0	VE. MB-DLE 405 (D3)	Gas valve	Electrovanne	Electrovalvula
10	1.11866.0	Cavo accensione	Electrode cable	Cable électrode	Cable electrodo
	1.11918.0	Cavo accensione (EM 12/L)	Electrode cable (EM 12/L)	Cable électrode (EM 12/L)	Cable electrodo (EM 12/L)
11	1.12193.0	Elettrodo destro	Right electrode	Electrode droit	Electrodo diestra
12	1.11881.0	Guarnizione isolante	Insulating gasket	Joint isolant	Junta aislante
13	1.11880.0	Flangia attacco caldaia	Boiler connecting flange	Flange connexion chaudière	Brida de fijación a la caldera
14	1.12192.0	Deflettore	Deflector	Deflector	Deflector
15	1.12197.0	Bocaglio	Draught tube	Guelard	Boca de fuego
	1.12251.0	Bocaglio (EM 12/L)	Draught tube (EM 12/L)	Guelard (EM 12/L)	Boca de fuego (EM 12/L)
16	1.12190.0	Elettrodo di controllo	Flame rod	Electrode ionisation	Electrodo ionisación
	1.12784.0	Elettr. di controllo (EM 12/L)	Flame rod (EM 12/L)	Electrode ionisation (EM 12/L)	Electrodo ionisación (EM 12/L)
17	1.11887.0	Guarnizione bocaglio	Draught tube gasket	Guelard joint	Junta boca de fuego
18	1.12198.0	Cavo elettrodo di controllo	Control electrode cable	Cable électrode control	Cable electrodo ionisacion
19	4.03636.0	Ventola	Fan	Ventilateur	Turbina
20	4.03210.0	Spina 7 poli	7 pole plug	Fiche 7 pôles	Conector 7 polos
21	4.03422.0	Presa 7 poli	7 pole socket	Prise 7 pôles	Conector 7 polos
22	4.04116.0	Filtro antisturbo	Antijamming filter	Filtre antiparasite	Filtro antiparasitario
23	1.11857.0	Motore (ACC)	Motor (ACC)	Moteur (ACC)	Motor (ACC)
	1.13685.0	Motore (SIMEL)	Motor (SIMEL)	Moteur (SIMEL)	Motor (SIMEL)
24	4.04149.0	Pressostato aria	Air pressure switch	Pressostat d'air	Pressostato aire
25	4.03513.0	Condensatore (ACC)	Condensor (ACC)	Condensateur (ACC)	Condensador (ACC)
	4.04183.0	Condensatore (SIMEL)	Condensor (SIMEL)	Condensateur (SIMEL)	Condensador (SIMEL)
26	4.03645.0	Trasformatore	Trasformer	Transformateur	Transformador