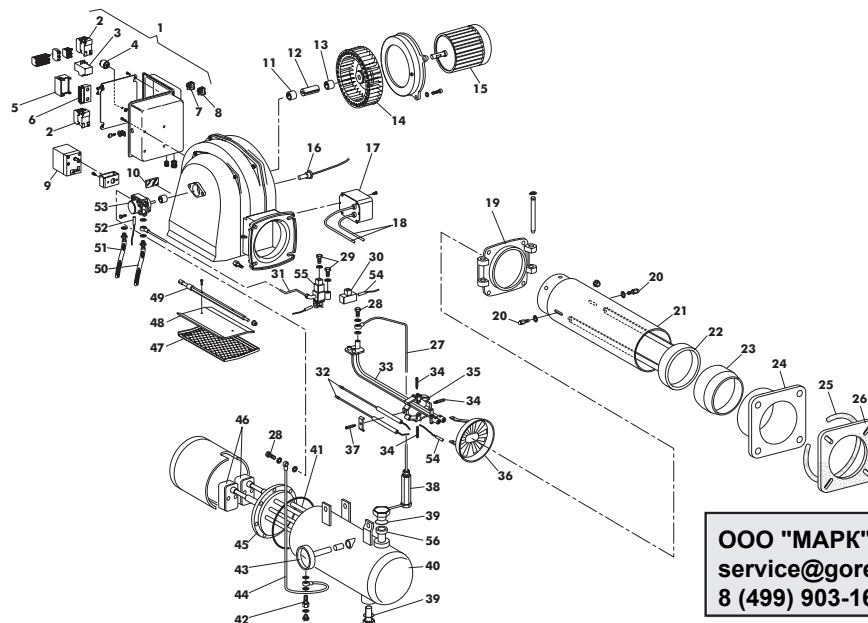


PNZ 30

 Cod. **00821200**
TAV. 408

Settembre 2006



 8 (499) 903-16-60
 service@gorelok.ru

OOO "MAPK" | www.gorelok.ru
service@gorelok.ru
8 (499) 903-16-16

Pos.	Codice	Denominazione	Denomination	Denomination	Denominación
1	8.01785.0	G/quadro elettrico	Control board group	G/armoire	G/cuadro eléctrico
2	4.70337.0	Contattore CL00A310T6	Contacteur	Contacteur	Telerruptor
3	4.03220.0	Relè termico	Thermal relay	Rélais thermique	Relais térmico
4	4.03472.0	Filtro antidisturbo	Antijamming filter	Filtre antiparasite	Filtro antiparasitario
5	4.04098.0	App. LANDIS tipo LMO 44	Control box	Coffret de sécurité	Programador
6	4.01551.0	Zoccolo	Control box base	Base coffret	Base programador
7	4.03397.0	Pulsante riarmo	Switch	Interrupteur	Interruptor
8	4.03386.0	Interruttore	Switch	Interrupteur	Interruptor
9	1.09457.0	Servocomando	Servo-control	Servomoteur	Servomando
10	1.01038.0	Vetrino	Glass	Voyant	Vidrio
11	1.05410.0	Semigiunto lato pompa	Pump side half-coupling	Demi-joint côté pompe	Semimanguito Lado bomba
12	1.07648.0	Tassello giunto	Coupling plug	Soufflet joint	Taco junta
13	1.01011.1	Giunto lato motore	Motor side coupling	Joint côté moteur	Junta lado motor
14	4.00259.0	Ventola	Fan	Ventilateur	Turbina
15	1.01111.0	Motore	Motor	Moteur	Motor
16	4.01578.0	Fotoresistenza	Photocell	Photorésistance cellule	Fotoresistencia
17	1.08284.0	Trasformatore	Transformer	Transformateur	Transformador
18	1.06603.0	Cavo elettrodo	Flame cable	Cable électrode	Cable electrodo
19	1.09366.0	Flangia cerniera	Hinged flange	Flange articulée	Brida con bisagras
20	1.09593.0	Pomello	Knob	Poignée	Pomo
21	1.11574.0	Tubo convogliatore	Conveying tube	Tube diffuseur	Tubo difusor
22	1.11576.0	Anello regol.testata	Head regulation Ring	Anneau regulation de culasse	Anillo regulación cabeza
23	1.11575.0	Boccaglio	Draught tube	Gueulard	Boca de fugo
24	1.06591.0	Flangia attacco caldaia	Flange	Joint	Brida
25	1.06593.0	Corda isolante	Insulating rope	Corde isolante	Cuerda aislador
26	1.09043.0	Guarnizione isolante	Insulating gasket	Joint isolante	Junta aislante
27	1.11343.0	Tubo V.E.-valvola antiritorno	Valve tube	Ligne vanne	Tubo electroválvula
28	1.00128.1	Raccordo 1/4"	Coupling	Raccord	Racor
29	1.01189.0	Raccordo 1/8"	Coupling	Raccord	Racor
30	4.00229.1	Valvola SIRAI L122	Valve	Vanne	Electroválvula
31	1.11341.0	Tubino ritorno	Return tube	Tube retour	Tubo regreso
32	4.01408.0	Elettrodo di accensione	Ignition electrode	Electrode d'allumage	Electrodo d'encendido
33	8.01389.0	G/supporto pistone	Piston holder group	G/support piston	G/linea pistón
34	1.11578.0	Distanziale	Spacer shaft	Arbre de espacement	Arbol
35	1.05879.0	Supporto elettrodi	Electrodes' holder	Support électrodes	Soporte electrodos
36	1.11580.0	Deflettore	Deflector	Défecteur	Deflector
37	1.11579.0	Distanziale fiss. elettrodi	Electrode fixing rod	Arbre fixation électrode	Arbol fijación electordo
38	4.03485.0	Valvola antiritorno	Anti-return valve	Valve anti-retour	Valvula antiregreso
39	3.00072.0	Anello OR 3106	OR 3106	OR 3106	OR 3106
40	8.01388.0	G/serbatoio	Fuel tank group	G/réservoir	G/depósito
41	3.00103.0	Anello OR 4362	OR 4362	OR 4362	OR 4362
42	8.01604.0	G/raccordo	Coupling group	G/raccord	G/racor
43	1.01055.0	Termometro	Thermometer	Thermomètre	Termómetro
44	1.11344.0	Tubo pompa/serbatoio	Pump/fuel tank tube	Tube pompe/réservoir	Tubo bomba/depósito
45	1.01216.4	Resistenza corazzata	Armoured resistance	Résistance cuirassé	Resistencia acorazado
46	4.01801.0	Termostato	Thermostat	Thermostat	Termostato
47	1.06888.0	Griglia	Grill	Gril	Parilla
48	1.07861.0	Bandella	Flap	Clapet	Palomilla
49	1.07864.0	Albero bandella	Air flap shaft	Arbre clapet	Arbol palomilla
50	1.09295.0	Flessibile	Hose	Flexible	Flexible
51	1.09294.0	Flessibile	Hose	Flexible	Flexible
52	4.03601.0	Resistenza 40 W	Resistance	Résistance	Resistencia
53	4.03592.0	Pompa SUNTEC D 67 A	Pump	Pompe	Bomba
54	4.03586.0	Resistenza 100 W	Resistance	Résistance	Resistencia
55	4.00228.1	Valvola SIRAI L 248	Valve	Vanne	Electroválvula
56	1.10785.0	Filtro serbatoio	Filer	Filtre	Filtro